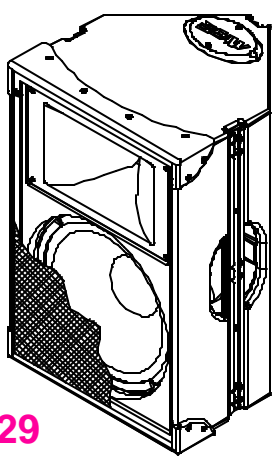
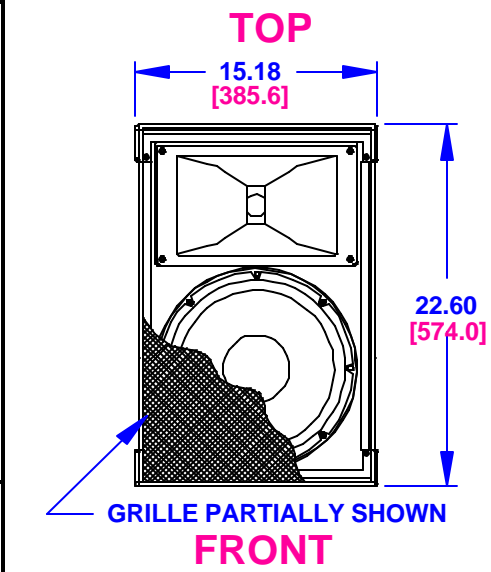


REV	DESCRIPTION	APVD/DATE
A	RELEASED TO PRODUCTION FROM REV 1 PROTOTYPE PER DSRWHT6090 DM 4/25/05	RS 4/27/05
B	NOTE 3: CHANGED 52.50 lb [23.6 kg] TO 53 lb [24.0 kg]; NOTE 4: CHANGED 58.50 lb [26.3 kg] TO 59 lb [26.8 kg] PER ECOWHT3903 KL 8/23/05	RS 8/23/05

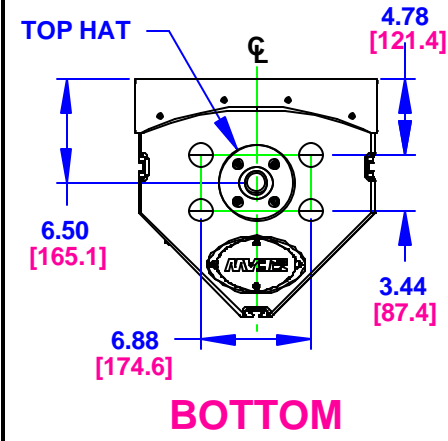
- NOTES:**
1. SYMBOL INDICATES CENTER OF BALANCE.
 2. SYMBOL INDICATES MOUNTING POINT, 5/16-18 T-NUT FOR OMNI MOUNT SERIES 120.0
 3. WEIGHT APPROX. 53 lb [24.0 kg]
 4. SHIPPING WEIGHT APPROX. 59 lb [26.8 kg]



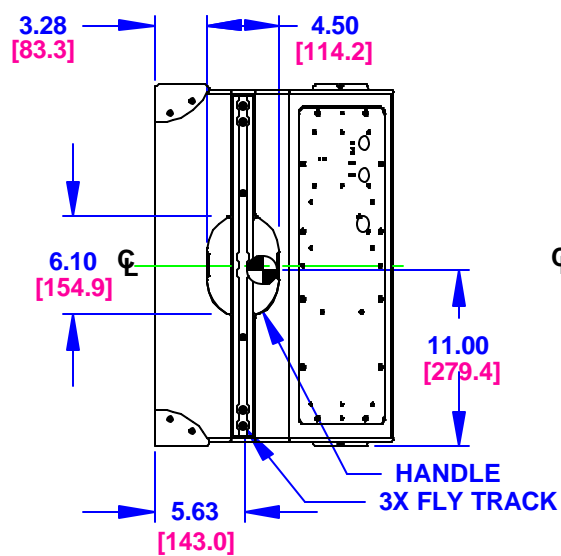
NT29



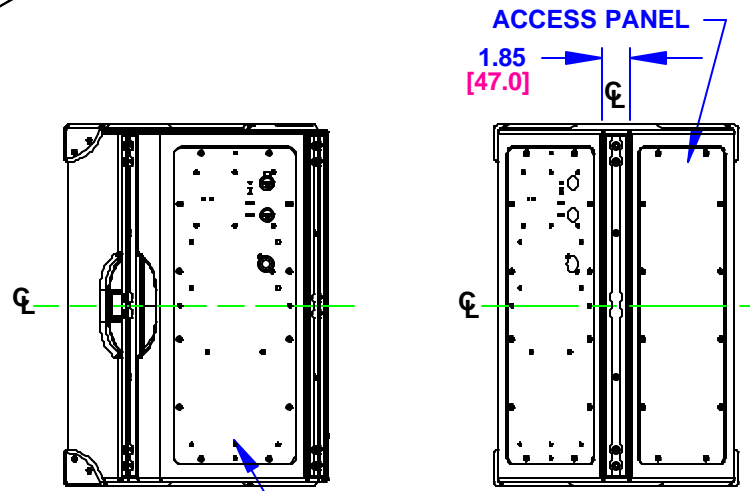
FRONT



BOTTOM



RIGHT SIDE
DIMENSIONS APPLY TO BOTH SIDES



VIEW A-A

BACK

DOCUMENT CONTROL PER SPECIFICATION 4.5.201

<p>THIRD ANGLE PROJECTION</p>	<p>UNLESS OTHERWISE SPECIFIED ALL DIMENSIONS ARE: INCHES [MILLIMETERS]</p> <p>TOLERANCES</p> <p>LINEAR ± 0.13 in/± 3.3 mm</p> <p>ANGLES ± 1°</p> <p>(X.XX) = REF DIMS NO TOLERANCE IMPLIED</p> <p>TSC=THEORETICAL SHARP CORNER</p> <p>DIMENSIONS ACROSS CENTERLINES TO BE SYMMETRICAL</p>	<p>STATUS: PRODUCTION</p>		<p>EAW EASTERN ACOUSTIC WORKS ONE MAIN STREET WHITINSVILLE, MA 01588 USA</p>	
		<p>APPROVALS</p> <p>DRAWN: J. DUGAN</p> <p>CHECKED: KFH</p> <p>DES ENG: NB</p> <p>MFG ENG: SM</p>	<p>DATE</p> <p>2/18/05</p> <p>4/29/05</p> <p>4/29/05</p> <p>4/29/05</p>		<p>TITLE: CABINET/FINISHED/BLACK/RB NT29 [MECHANICAL SPECIFICATION]</p>
<p>THIS DRAWING IS THE PROPERTY OF EAW AND SHALL NOT BE COPIED, REPRODUCED, OR USED AS THE BASIS FOR MANUFACTURE OR SALE OF APPARATUS WITHOUT WRITTEN AUTHORIZATION. DO NOT SCALE DRAWING.</p>			<p>A</p>	<p>SHEET 1 OF 1</p>	<p>SCALE: 1 TO 12</p>
<p>DRAWING NUMBER: 0014782</p>				<p>REVISION: B</p>	